

- ① Series name
- ② Single output
- ③ Input voltage
48 :DC36 - 76V
- ④ Output voltage
018:1.8V
025:2.5V
033:3.3V
050:5V
120:12V
- ⑤ Output current
- ⑥ Optional
R :with Remote ON/OFF
Positive logic control
V :Output voltage setting ±1%
N :Auto restart from thermal protection

MODEL	CES48018-30	CES48025-25	CES48033-25	CES48050-16	CES48120-6	CES48033-30	CES48050-20
MAX OUTPUT WATTAGE[W]	54.0	62.5	82.5	80.0	72.0	99.0	100.0
DC OUTPUT	1.8V 30A	2.5V 25A	3.3V 25A	5V 16A	12V 6A	3.3V 30A	5V 20A

SPECIFICATIONS

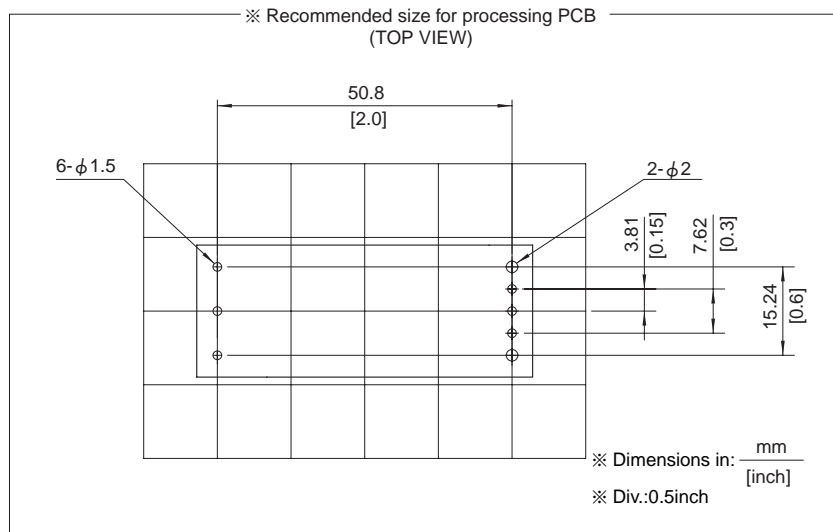
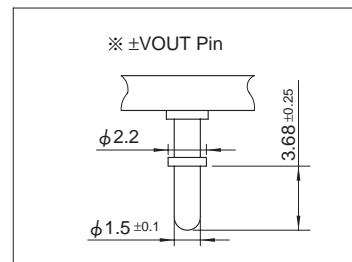
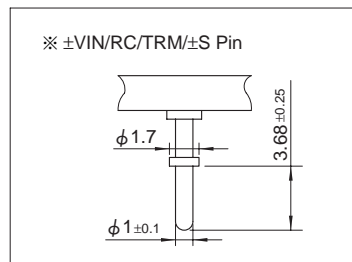
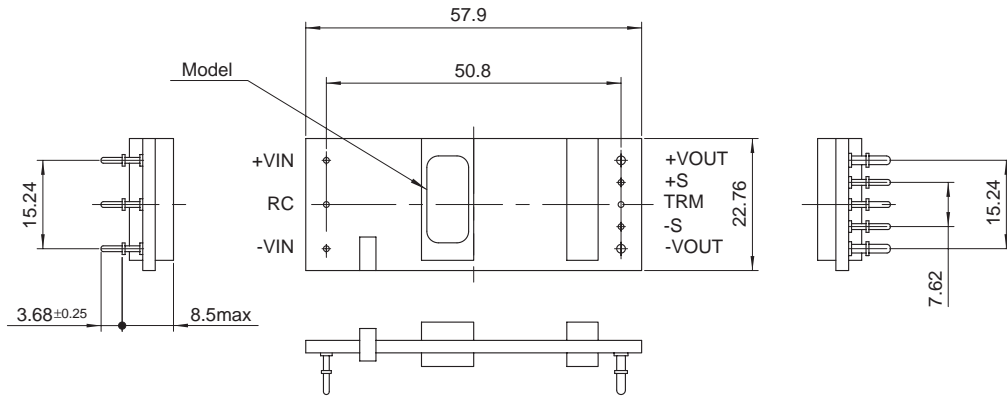
	MODEL	CES48018-30	CES48025-25	CES48033-25	CES48050-16	CES48120-6	CES48033-30	CES48050-20	
INPUT	VOLTAGE[V]	DC36 - 76							
	CURRENT[A]	*1 1.30typ	1.45typ	1.89typ	1.84typ	1.65typ	2.29typ	2.32typ	
	EFFICIENCY[%]	*1 87typ	90typ	91typ	91typ	91typ	90typ	90typ	
	START-UP VOLTAGE[V]	DC32 - 36							
	HYSTERESIS VOLTAGE[V]	DC2 min							
OUTPUT	VOLTAGE[V]	1.8	2.5	3.3	5	12	3.3	5	
	CURRENT[A]	30	25	25	16	6	30	20	
	LINE REGULATION[mV]	±5max	±5max	±5max	±5max	±12max	±5max	±5max	
	LOAD REGULATION[mV]	±5max	±5max	±5max	±5max	±12max	±5max	±5max	
	RIPPLE	[mVrms] *2	20max	20max	20max	25max	40max	20max	35max
		[mVp-p] *2	60max	60max	60max	80max	120max	60max	100max
	RIPPLE NOISE[mVp-p] *2	100max	100max	100max	120max	150max	100max	150max	
	TEMPERATURE REGULATION[mV]	66max	66max	66max	100max	240max	66max	100max	
	DRIFT[mV] *3	16max	16max	16max	20max	40max	16max	20max	
	START-UP TIME[ms]	200max (DCIN 48V, Io=100%)							
OUTPUT VOLTAGE ADJUSTMENT RANGE	Fixed (TRM pin open), adjustable by external resistor								
	-20% / +10%		-15% / +15%		-20% / +10%		-15% / +15%	-20% / +10%	
OUTPUT VOLTAGE SETTING	±1.6%								
PROTECTION CIRCUIT AND OTHERS	OVERCURRENT PROTECTION	Works over 105% of rating, low voltage protection (shut down) function is built-in.							
	OVERVOLTAGE PROTECTION	117% - 127%		125% - 135%		117% - 127%		125% - 135%	117% - 127%
	REMOTE SENSING	Provided							
	REMOTE ON/OFF	Provided (Negative logic L:ON, H:OFF)							
ISOLATION	INPUT-OUTPUT	DC1.500V or AC1.000V 1minute, Cutoff current = 10mA, DC500V 50MΩ min (20±15°C)							
ENVIRONMENT	OPERATING TEMP.,HUMID.AND ALTITUDE	-40 to +85°C, 20 - 95%RH (Non condensing) (Refer to DERATING CURVE), 3,000m (10,000feet) max							
	STORAGE TEMP.,HUMID.AND ALTITUDE	-40 to +100°C, 20 - 95%RH (Non condensing), 9,000m (30,000feet) max							
	VIBRATION	10 - 55Hz, 49.0m/s ² (5G), 3minutes period, 60minutes each along X, Y and Z axis							
	IMPACT	196.1m/s ² (20G), 11ms, once each along X, Y and Z axis							
SAFETY	AGENCY APPROVALS	UL60950-1, C-UL (CSA60950-1), EN60950-1							
OTHERS	CASE SIZE/WEIGHT	57.9×8.5×22.76mm (W×H×D) / 26g max							
	COOLING METHOD	Convection/Forced air							

*1 At rated input(DC48V) and rated load. Ta=25°C, 2m/s.

*2 Ripple and ripple noise is measured by using measuring board with ceramic capacitor 22 μF.
Refer to Instruction Manual.

*3 Drift is the change in DC output for an eight hour period after a half-hour warm-up at 25°C, with the input voltage held constant at the rated input/output.

External view



- ※ Tolerance:±0.5
- ※ Mass:26g or less
- ※ Dimensions in mm