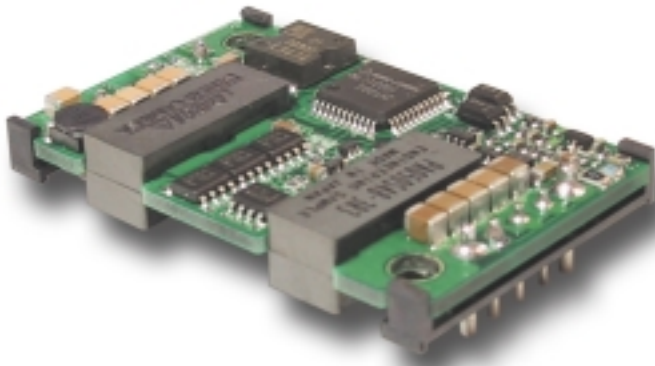




PAQ50 Series

Quarter Brick Power Supply Specifications

- ◆ Low Voltage Outputs (1.2-5.0V)
- ◆ Industry Standard Footprint & Pinouts
- ◆ Safety Agency Approvals (UL1950, CSA22.2, CE, TUV)
- ◆ Constant Current Limit (Auto Restarting)
- ◆ Remote On / Off
- ◆ ASIC Design to Reduce Component Count



Key Market Segments & Applications	
Central Office:	ATM, Sonet, DSL, ISDN, Frame Relay, WDM
Broadband:	Switching Equipment, Routers
Remote Electronics:	Fixed Local Loop, Fiber Optic Transmission, Microwave Transmission, Wireless Local Loop
Customer Premise:	PBX, PABX, Datacomm, Voice Systems, Video Conferencing
Industrial	ATE Test Equipment & Semi-Fab

Open Frame

PAQ Features and Benefits	
Feature	Benefit
◆ Industry Standard footprint/pinout	◆ Allows for multi-sourcing
◆ ASIC Design	◆ Reduces number of components
◆ Wide Range Operating Temperature (-40 to 100°C)	◆ Supports Harsh Wireless Operating Environment
◆ High Efficiency 88% at 3.3V (PAQ50)	◆ Reduce footprint area/Operation without heatsink

Specifications		MODEL	PAQ50S48-1R2	PAQ50S48-1R8	PAQ50S48-2R5	PAQ50S48-3R3	PAQ50S48-5
ITEMS							
Nominal Output Voltage	V		1.2	1.8	2.5	3.3	5
Max Output Current	A		12	12	12	12	10
Max Output Power	W		14.4	21.6	30	39.6	50
Efficiency (Typ.)	(*1) %		78	83	85	88	90
Input Voltage Range	-		36 - 76VDC				
Input Current (Typ.)	(*1) A		0.39	0.56	0.75	0.96	1.18
Output Voltage Accuracy	(*1) %		±1				
Output Voltage Range	(*6) -		-20%, +10%			±15%	
Max Ripple & Noise	(*6) mV		100	100	100	100	100
Max Line Regulation	(*2) mV		10	10	10	10	10
Max Load Regulation	(*3) mV		10	10	10	10	10
Over Current Protection	-		105% - 150% (Self-Recovering /V option)				
Over Voltage Protection	(*4) -		120% - 140% (Self-Recovering /V option)				
Remote ON/OFF Control	-		Low=On, Open=Off (/P option: Low=Off, Open=On)				
Operating Temperature	(*5) C		Ta= -40° - +85°				
Cooling	(*5) -		Convection Cooled / Forced air cooled				
Isolation Voltage	-		Input-Output : 1.5kVDC for 1min				
Shock	-		20G				
Weight (Typ.)	g		50				
Vibration	-		Non Operating, 10-55Hz (Sweep for 1min.)				
Size (W×H×D)	in		Amplitude 0.825mm Constant (Maximum 49.0m/s ²) X, Y, Z 1 hour each 1.45" x .33" x 2.3"				
Warranty	-		2 years				

Notes:

*1. At 48VDC, maximum output current, Air Velocity = 2m/s and Ta = +25°.

*2. 36 - 76VDC, constant load.

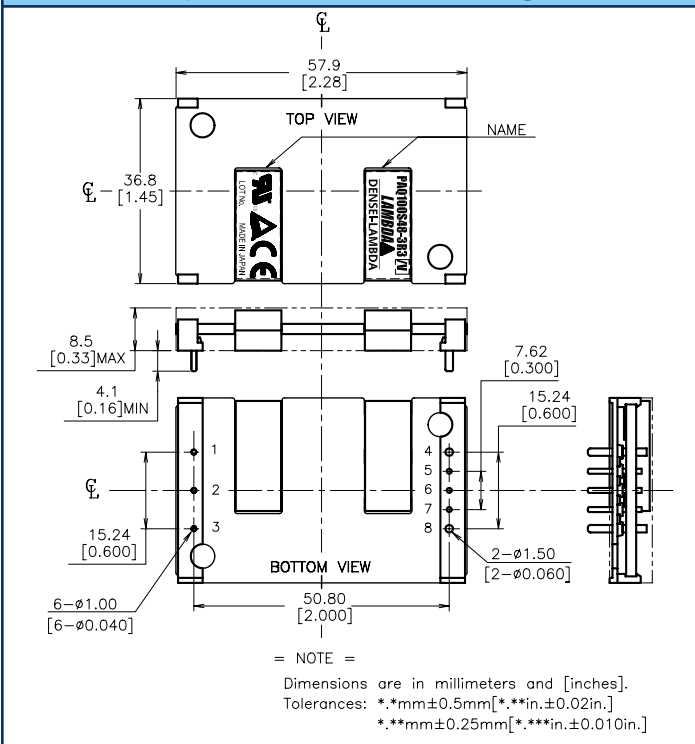
*3. No load - Full load, constant input voltage.

*4. Inverter shutdown method, manual reset. Auto restart option available.

*5. Refer to derating curve.

*6. External components are needed for operation.

PAQ50 Openframe Drawing

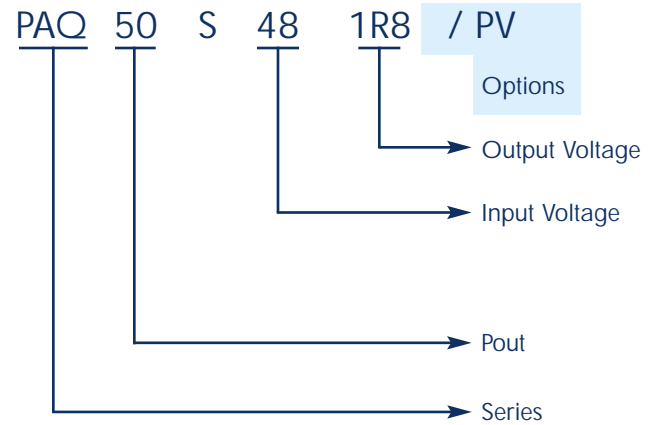


PAQ Series Options

Suffix	Description
Blank	Manual Reset after OVP or OCP condition
/V	Auto Reset after OVP or OCP condition
/P	Positive Logic Remote On/Off

/V, /PV are Standard US stock items.

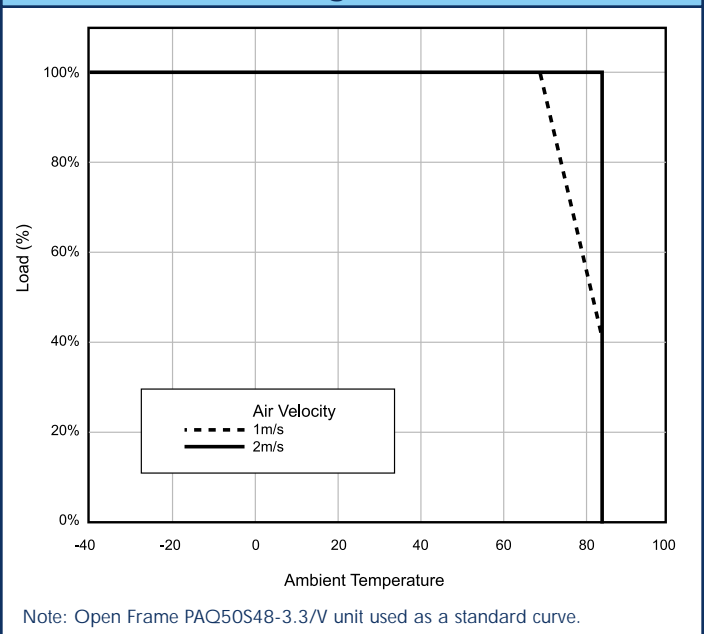
PAQ Series Model Number Example



PAQ Series Outputs

PIN#	Label	Function
1	-Vin	Negative Input Terminal
2	CNT	ON/OFF Control Terminal
3	+Vin	Positive Input Terminal
4	-V	Negative Output Terminal
5	-S	Negative Remote Sensing
6	TRM	Output Voltage Adjustment Terminal
7	+S	Positive Remote Sensing
8	+V	Positive Output Terminal

PAQ50 Derating Curve



For Additional Information, please visit
www.lambdapower.com/products/paq-series.htm